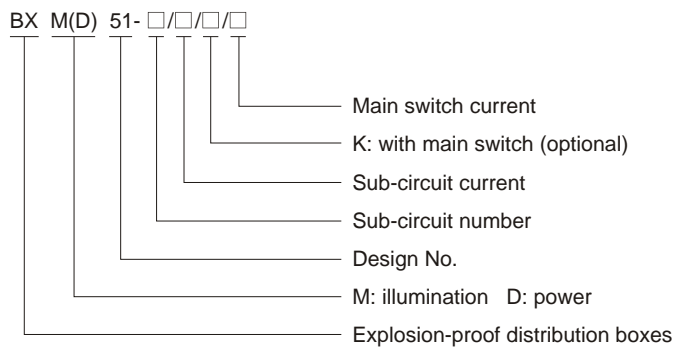


## Distribution Boxes

### BXM(D)51 Series Explosion-proof Illumination (Power) Distribution Boxes (Ex de IIB)

- ◆ Explosion protection to
  - CENELEC
  - IEC
- ◆ Can be used in
  - Zone 1 and Zone 2
  - Zone 21 and Zone 22
- ◆ Enclosure for modular combination (Ex d & Ex e).
- ◆ Main switch and distribution switch are operated with external handle.
- ◆ Internal termination is finished.
- ◆ Weidmuller SAK EN series terminals.
- ◆ Entries plugged. Cable glands on request (see P7/17~19).
- ◆ Special requirements on request.

### ■ Catalogue number logic



Zones 1&2; 21&22

**Technical data**

**Explosion-proof illumination distribution boxes BXM51-□/□/□/□**

**Explosion protection**

Gas explosion protection  $\text{Ex II 2 G Ex de IIB T6}$   
 Dust explosion protection  $\text{Ex tD A21 T80}^\circ\text{C IP65}$

**Certificates**

For gas explosion protection PTB 03 ATEX 1078; IECEx CQM 07. 0012  
 For dust explosion protection PCEC (China)

**Conformity to standards**

EN 50014:1997+A1+A2, EN 50018:2000+A1, EN 50019:2000  
 IEC 60079-0:2004, IEC 60079-1:2003, IEC 60079-7:2001  
 IEC 61241-0:2004, IEC 61241-1:2004

**General power supply**

Rated voltage: max. 415V AC 50/60Hz; Rated current: max.100A

**Sub circuit current**

1A, 2A, 4A, 6A, 10A, 16A, 20A, 25A, 32A

**Exposed fastener**

Stainless steel

**Enclosure**

Enclosure material Copper-free aluminium; powder coated external surface  
 Enclosure colour Window grey (RAL7040)  
 Enclosure type Modular combination (Ex d & Ex e); MCB, MCCB or other components in Ex d compartment, indicators and terminals in Ex e compartment.

**Built-in components**

Main switch MCB (mini circuit breaker) or MCCB (moulded case circuit breaker)  
 Note: electric leakage protection on request

Sub-circuit switch MCB (mini circuit breaker)  
 Note: electric leakage protection on request

Terminal Weidmuller SAK EN series

Indicator Red

**Degree of protection**

IP65

**Ambient temperature**

-20 $^\circ\text{C}$  ~ +55 $^\circ\text{C}$

**Cable entries**

Standard M□ x 1.5 plug (see the Selection Table on P6/4)

**Cable gland (optional)**

DQM-I (Ex e) is recommended. Please see P7/17~19.

**Entry direction**

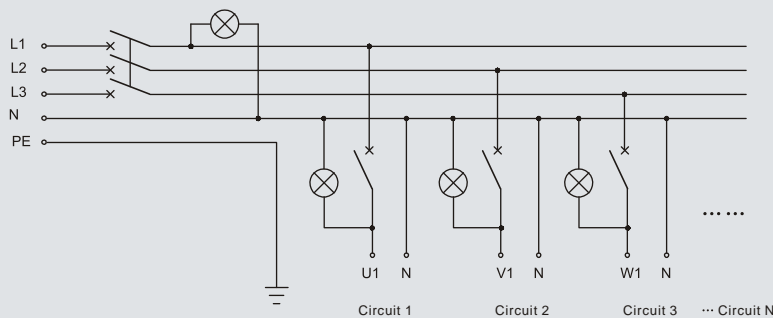
Bottom

**Mounting**

Surface type (standard)  
 Pedestal type (optional)



**Electrical schematic diagram**



BXM51 series explosion-proof illumination distribution boxes

Selection table of BXM 51 series explosion-proof illumination distribution boxes

Type	Description					Terminal	Cable entries	
	Main switch	Sub-circuit number	Sub-circuit switch	Sub-circuit current	Indicator number			
BXM51-4/□/K/□	MCB or MCCB	4	MCB 1 P/2 P	1A 2A 4A 6A 10A 16A 20A 25A 32A On request	1+4	Incoming 3 x SAK35EN+1N+1PE Outgoing 4 x SAK4EN+4N+4PE	1 x M40 x 1.5 + 4 x M25 x 1.5	
BXM51-6/□/K/□		6			1+6	Incoming 3 x SAK35EN+1N+1PE Outgoing 6 x SAK4EN+6N+6PE	1 x M40 x 1.5 + 6 x M25 x 1.5	
BXM51-8/□/K/□		8			1+8	Incoming 3 x SAK35EN+1N+1PE Outgoing 8 x SAK4EN+8N+8PE	1 x M40 x 1.5 + 8 x M25 x 1.5	
BXM51-10/□/K/□		Current: max. 100A			10	1+10	Incoming 3 x SAK35EN+1N+1PE Outgoing 10 x SAK4EN+10N+10PE	1 x M40 x 1.5 + 10 x M25 x 1.5
BXM51-12/□/K/□					12	1+12	Incoming 3 x SAK35EN+1N+1PE Outgoing 12 x SAK4EN+12N+12PE	1 x M40 x 1.5 + 12 x M25 x 1.5
BXM51-4/□	—	4	MCB 1 P/2 P	1A 2A 4A 6A 10A 16A 20A 25A 32A On request	4	Incoming 3 x SAK35EN+1N+1PE Outgoing 4 x SAK4EN+4N+4PE	1 x M40 x 1.5 + 4 x M25 x 1.5	
BXM51-6/□		6			6	Incoming 3 x SAK35EN+1N+1PE Outgoing 6 x SAK4EN+6N+6PE	1 x M40 x 1.5 + 6 x M25 x 1.5	
BXM51-8/□		8			8	Incoming 3 x SAK35EN+1N+1PE Outgoing 8 x SAK4EN+8N+8PE	1 x M40 x 1.5 + 8 x M25 x 1.5	
BXM51-10/□		10			10	Incoming 3 x SAK35EN+1N+1PE Outgoing 10 x SAK4EN+10N+10PE	1 x M40 x 1.5 + 10 x M25 x 1.5	
BXM51-12/□		12			12	Incoming 3 x SAK35EN+1N+1PE Outgoing 12 x SAK4EN+12N+12PE	1 x M40 x 1.5 + 12 x M25 x 1.5	

**Note**

1. Please specify the number and size of cable entries and sides of the enclosure to be fitted.
2. Single line drawing (SLD) shall be provided by user. Photocell, timer, AC contactor, thermal relay or others on request.
3. Please specify mounting type when ordering.
4. Rainproof canopy on request.



## Technical data

## Explosion-proof power distribution boxes BXD51-□/□/□/□

## Explosion protection

Gas explosion protection

⊕ II 2 G Ex de IIB T6

Dust explosion protection

Ex tD A21 T80°C IP65

## Certificates

For gas explosion protection

PTB 03 ATEX 1078; IECEx CQM 07.0012

For dust explosion protection

PCEC (China)

## Conformity to standards

EN 50014:1997+A1+A2, EN 50018:2000+A1, EN 50019:2000

IEC 60079-0:2004, IEC 60079-1:2003, IEC 60079-7:2001

IEC 61241-0:2004, IEC 61241-1:2004

## General power supply

Rated voltage: max. 415V AC 50/60Hz; Rated current: max. 250A

## Sub circuit current

1A, 2A, 4A, 6A, 10A, 16A, 20A, 25A, 32A, 40A, 50A, 63A

## Exposed fastener

Stainless steel

## Enclosure

Enclosure material

Copper-free aluminium; powder coated external surface

Enclosure colour

Window grey (RAL7040)

Enclosure type

Modular combination (Ex d &amp; Ex e); MCB, MCCB or other components in Ex d compartment, indicators and terminals in Ex e compartment.

## Built-in components

Main switch

MCB (mini circuit breaker) or MCCB (moulded case circuit breaker)

Note: electric leakage protection on request

Sub-circuit switch

MCB (mini circuit breaker)

Note: electric leakage protection on request

Terminal

Weidmuller SAK EN series

Indicator

Red

## Degree of protection

IP65

## Ambient temperature

-20°C ~ +55°C

## Cable entries

Standard M□ x 1.5 plug (see the Selection Table on P6/6)

## Cable gland (optional)

DQM-I (Ex e) is recommended. Please see P7/17~19.

## Entry direction

Bottom

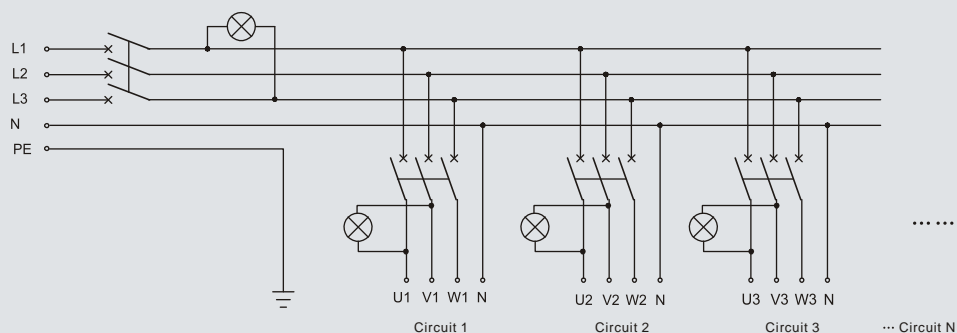
## Mounting

Surface type (standard)

Pedestal type (optional)



## Electrical schematic diagram



BXD51 series explosion-proof power distribution boxes

Selection table of BXD51 series explosion-proof power distribution boxes

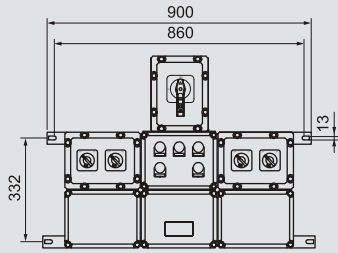
Type	Description					Terminal	Cable entries	
	Main switch	Sub-circuit number	Sub-circuit switch	Sub-circuit current	Indicator number			
BXD51-4/□/K/□	MCB or MCCB	4	MCB 3P	1A	1+4	Incoming 3 x SAK70/35EN+1N+1PE Outgoing 12 x SAK10EN+4N+4PE	1 x M50 x 1.5 + 4 x M25 x 1.5	
BXD51-6/□/K/□		6		2A		1+6	Incoming 3 x SAK70/35EN+1N+1PE Outgoing 18 x SAK10EN+6N+6PE	1 x M50 x 1.5 + 6 x M25 x 1.5
BXD51-8/□/K/□		8		4A	1+8		Incoming 3 x SAK70/35EN+1N+1PE Outgoing 24 x SAK10EN+8N+8PE	1 x M50 x 1.5 + 8 x M25 x 1.5
BXD51-10/□/K/□		Current: max. 250A		10		6A	1+10	Incoming 3 x SAK70/35EN+1N+1PE Outgoing 30 x SAK10EN+10N+10PE
BXD51-12/□/K/□				12	16A	1+12		Incoming 3 x SAK70/35EN+1N+1PE Outgoing 36 x SAK10EN+12N+12PE
BXD51-4/□	—	4	MCB 3P	20A	4		Incoming 3 x SAK70/35EN+1N+1PE Outgoing 12 x SAK10EN+4N+4PE	1 x M50 x 1.5 + 4 x M25 x 1.5
BXD51-6/□		6		25A		6	Incoming 3 x SAK70/35EN+1N+1PE Outgoing 18 x SAK10EN+6N+6PE	1 x M50 x 1.5 + 6 x M25 x 1.5
BXD51-8/□		8		32A	8		Incoming 3 x SAK70/35EN+1N+1PE Outgoing 24 x SAK10EN+8N+8PE	1 x M50 x 1.5 + 8 x M25 x 1.5
BXD51-10/□		10		40A		10	Incoming 3 x SAK70/35EN+1N+1PE Outgoing 30 x SAK10EN+10N+10PE	1 x M50 x 1.5 + 10 x M25 x 1.5
BXD51-12/□		12		50A	12		Incoming 3 x SAK70/35EN+1N+1PE Outgoing 36 x SAK10EN+12N+12PE	1 x M50 x 1.5 + 12 x M25 x 1.5
				63A				
				On request				

**Note**

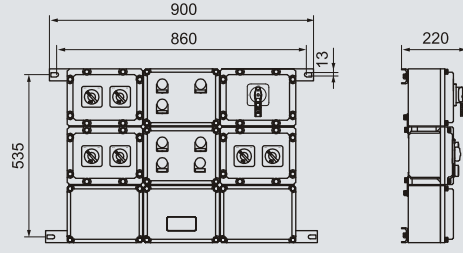
1. Please specify the number and size of cable entries and sides of the enclosure to be fitted.
2. Single line drawing (SLD) shall be provided by user. Photocell, timer, AC contactor, thermal relay or others on request.
3. Please specify mounting type when ordering.
4. Rainproof canopy on request.



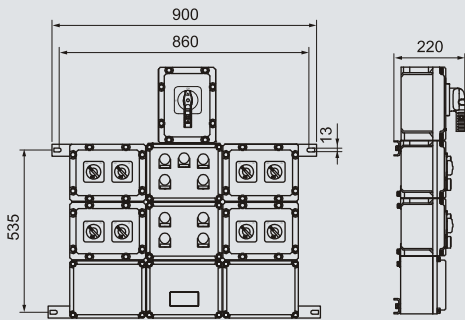
Dimension drawings (all dimensions in mm) - subject to alteration



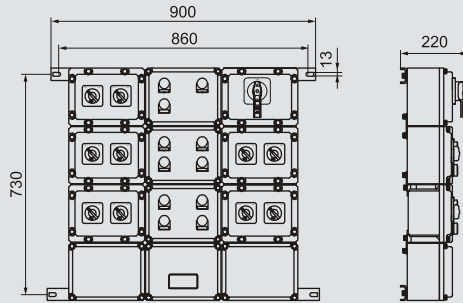
BXM(D)51-4/□/K/□



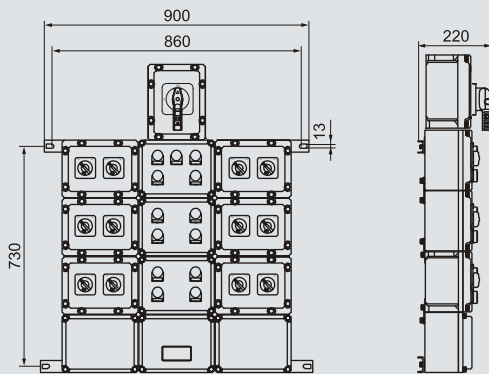
BXM(D)51-6/□/K/□



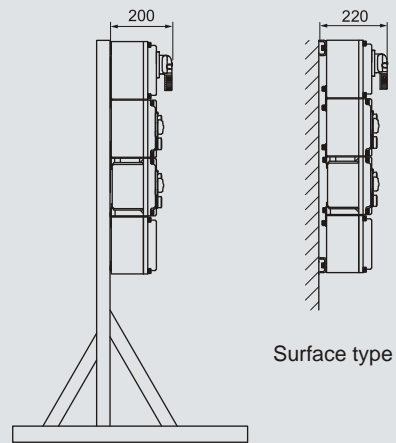
BXM(D)51-8/□/K/□



BXM(D)51-10/□/K/□



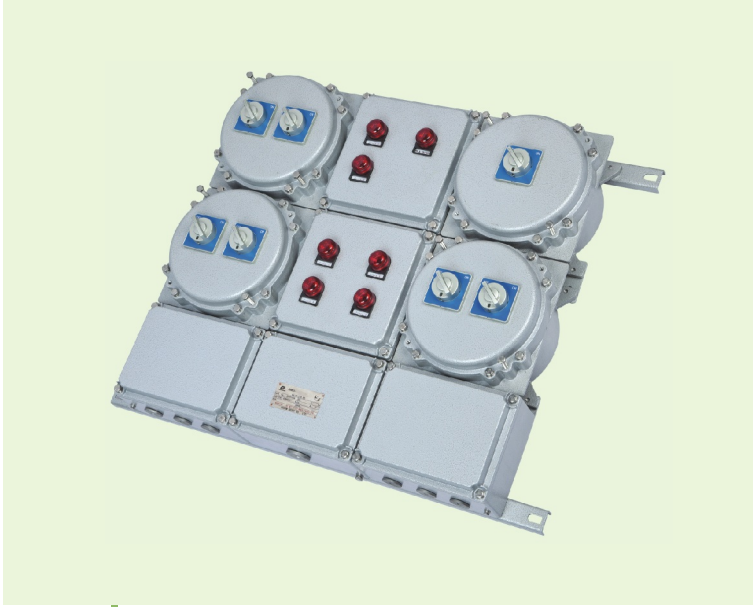
BXM(D)51-12/□/K/□



Pedestal type

Surface type



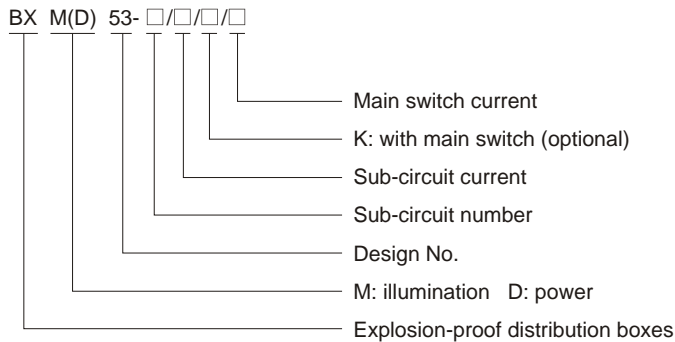


## Distribution Boxes

### BXM(D)53 Series Explosion-proof Illumination (Power) Distribution Boxes (Ex de IIC)

- ◆ Explosion protection to
  - CENELEC
  - IEC
- ◆ Can be used in
  - Zone 1 and Zone 2
  - Zone 21 and Zone 22
- ◆ Enclosure for modular combination (Ex d & Ex e).
- ◆ Main switch and distribution switch are operated with external handle.
- ◆ Internal termination is finished.
- ◆ Weidmuller SAK EN series terminals.
- ◆ Entries plugged. Cable glands on request (see P7/17~19).
- ◆ Special requirements on request.

## Catalogue number logic



## Zones 1&2; 21&22

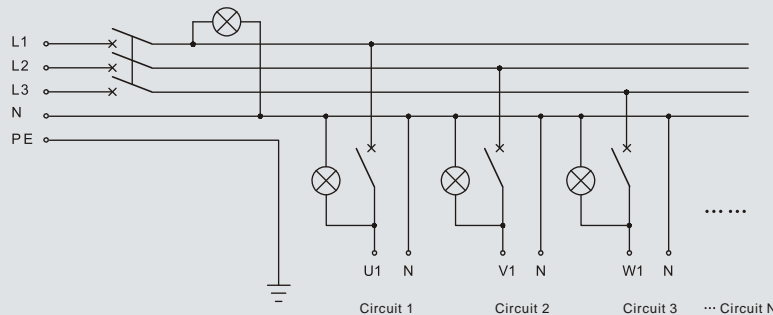
**Technical data**

**Explosion-proof illumination distribution boxes**      **BXM53-□/□/□/□**

<b>Explosion protection</b>	<p>Gas explosion protection      <math>\text{Ex}</math> II 2 G Ex de IIC T5/T6 Gb</p> <p>Dust explosion protection      <math>\text{Ex}</math> II 2 D Ex t IIIC T95°C/T80°C Db IP65</p>
<b>Certificates</b>	DNV 11 ATEX 02455X; IECEx CQM 11.0042X
<b>Conformity to standards</b>	EN 60079-0:2009, EN 60079-1:2007, EN 60079-7:2007, EN 60079-31:2009 IEC 60079-0:2007, IEC 60079-1:2007, IEC 60079-7:2006, IEC 60079-31:2008
<b>General power supply</b>	Rated voltage: max. 415V AC 50/60Hz; Rated current: max.100A
<b>Sub circuit current</b>	1A, 2A, 4A, 6A, 10A, 16A, 20A, 25A, 32A
<b>Exposed fastener</b>	Stainless steel
<b>Enclosure</b>	
Enclosure material	Copper-free aluminium; powder coated external surface
Enclosure colour	Window grey (RAL7040)
Enclosure type	Modular combination (Ex d & Ex e); MCB, MCCB or other components in Ex d compartment, indicators and terminals in Ex e compartment.
<b>Built-in components</b>	
Main switch	MCB (mini circuit breaker) or MCCB (moulded case circuit breaker) Note: electric leakage protection on request
Sub circuit switch	MCB (mini circuit breaker) Note: electric leakage protection on request
Terminal	Weidmuller SAK EN series
Indicator	Red
<b>Degree of protection</b>	IP65
<b>Ambient temperature</b>	-20°C ~ +53°C
<b>Cable entries</b>	Standard M□ x 1.5 plug (see the Selection Table on P6/10)
<b>Cable gland (optional)</b>	DQM-I (Ex e) is recommended. Please see P7/17~19.
<b>Entry direction</b>	Bottom
<b>Mounting</b>	Surface type (standard) Pedestal type (optional)



**Electrical schematic diagram**



BXM53 series explosion-proof illumination distribution boxes



Selection table of BXM53 series explosion-proof illumination distribution boxes

Type	Description					Terminal	Cable entries
	Main switch	Sub-circuit number	Sub-circuit switch	Sub-circuit current	Indicator number		
BXM53-4/□/K/□	MCB or MCCB  Current: max. 100A	4	MCB 1P/2P	1A 2A 4A 6A 10A 16A 20A 25A 32A On request	1+4	Incoming 3 x SAK35EN+1N+1PE Outgoing 4 x SAK4EN+4N+4PE	1 x M40 x 1.5 + 4 x M25 x 1.5
BXM53-6/□/K/□		6			1+6	Incoming 3 x SAK35EN+1N+1PE Outgoing 6 x SAK4EN+6N+6PE	1 x M40 x 1.5 + 6 x M25 x 1.5
BXM53-8/□/K/□		8			1+8	Incoming 3 x SAK35EN+1N+1PE Outgoing 8 x SAK4EN+8N+8PE	1 x M40 x 1.5 + 8 x M25 x 1.5
BXM53-10/□/K/□		10			1+10	Incoming 3 x SAK35EN+1N+1PE Outgoing 10 x SAK4EN+10N+10PE	1 x M40 x 1.5 + 10 x M25 x 1.5
BXM53-12/□/K/□		12			1+12	Incoming 3 x SAK35EN+1N+1PE Outgoing 12 x SAK4EN+12N+12PE	1 x M40 x 1.5 + 12 x M25 x 1.5
BXM53-4/□	—	4	MCB 1P/2P	1A 2A 4A 6A 10A 16A 20A 25A 32A On request	4	Incoming 3 x SAK35EN+1N+1PE Outgoing 4 x SAK4EN+4N+4PE	1 x M40 x 1.5 + 4 x M25 x 1.5
BXM53-6/□		6			6	Incoming 3 x SAK35EN+1N+1PE Outgoing 6 x SAK4EN+6N+6PE	1 x M40 x 1.5 + 6 x M25 x 1.5
BXM53-8/□		8			8	Incoming 3 x SAK35EN+1N+1PE Outgoing 8 x SAK4EN+8N+8PE	1 x M40 x 1.5 + 8 x M25 x 1.5
BXM53-10/□		10			10	Incoming 3 x SAK35EN+1N+1PE Outgoing 10 x SAK4EN+10N+10PE	1 x M40x 1.5 + 10 x M25 x 1.5
BXM53-12/□		12			12	Incoming 3 x SAK35EN+1N+1PE Outgoing 12 x SAK4EN+12N+12PE	1 x M40 x 1.5 + 12 x M25 x 1.5

**Note**

1. Please specify the number and size of cable entries and sides of the enclosure to be fitted.
2. Single line drawing (SLD) shall be provided by user. Photocell, timer, AC contactor, thermal relay or others on request.
3. Please specify mounting type when ordering.
4. Rainproof canopy on request.



## Technical data

## Explosion-proof power distribution boxes BXD53-□/□/□/□

## Explosion protection

Gas explosion protection

⊕ Ex II 2 G Ex de IIC T5/T6 Gb

Dust explosion protection

⊕ Ex II 2 D Ex t IIIC T95°C/T80°C Db IP65

## Certificates

DNV 11 ATEX 02455X; IECEx CQM 11.0042X

## Conformity to standards

EN 60079-0:2009, EN 60079-1:2007, EN 60079-7:2007, EN 60079-31:2009  
IEC 60079-0:2007, IEC 60079-1:2007, IEC 60079-7:2006, IEC 60079-31:2008

## General power supply

Rated voltage: max. 415V AC 50/60Hz; Rated current: max.250A

## Sub circuit current

1A, 2A, 4A, 6A, 10A, 16A, 20A, 25A, 32A, 40A, 50A, 63A

## Exposed fastener

Stainless steel

## Enclosure

Enclosure material

Copper-free aluminium; powder coated external surface

Enclosure colour

Window grey (RAL7040)

Enclosure type

Modular combination (Ex d &amp; Ex e); MCB, MCCB or other components in Ex d compartment, indicators and terminals in Ex e compartment.

## Built-in components

Main switch

MCB (mini circuit breaker) or MCCB (moulded case circuit breaker)

Note: electric leakage protection on request

Sub circuit switch

MCB (mini circuit breaker)

Note: electric leakage protection on request

Terminal

Weidmuller SAK EN series

Indicator

Red

## Degree of protection

IP65

## Ambient temperature

-20°C ~ +53°C

## Cable entries

Standard M□ x 1.5 plug (see the Selection Table on P6/12)

## Cable gland (optional)

DQM-I (Ex e) is recommended. Please see P7/17~19.

## Entry direction

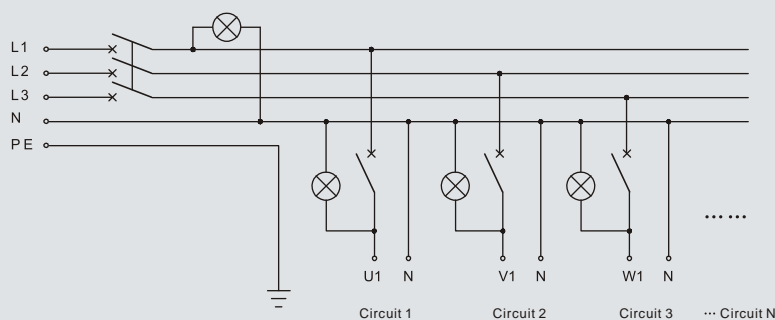
Bottom

## Mounting

Surface type (standard)

Pedestal type (optional)

## Electric schematic diagram



BXD53 series explosion-proof power distribution boxes

Selection table of BXD53 series explosion-proof power distribution boxes

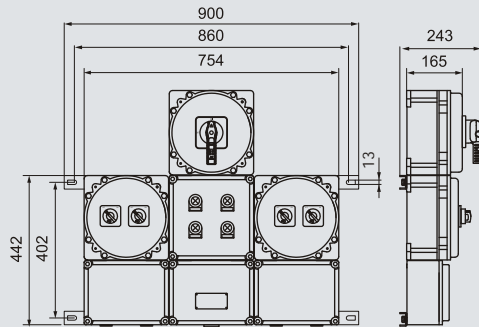
Type	Description					Terminal	Cable entries	
	Main switch	Sub-circuit number	Sub-circuit switch	Sub-circuit current	Indicator number			
BXD53-4/□/K/□	MCB or MCCB	4	MCB 3P	1A	1+4	Incoming 3 x SAK70/35EN+1N+1PE Outgoing 12 x SAK10EN+4N+4PE	1 x M50 x 1.5 + 4 x M25 x 1.5	
BXD53-6/□/K/□		6		2A		1+6	Incoming 3 x SAK70/35EN+1N+1PE Outgoing 18 x SAK10EN+6N+6PE	1 x M50 x 1.5 + 6 x M25 x 1.5
BXD53-8/□/K/□		8		4A	1+8		Incoming 3 x SAK70/35EN+1N+1PE Outgoing 24 x SAK10EN+8N+8PE	1 x M50 x 1.5 + 8 x M25 x 1.5
BXD53-10/□/K/□		10		6A			1+10	Incoming 3 x SAK70/35EN+1N+1PE Outgoing 30 x SAK10EN+10N+10PE
BXD53-12/□/K/□		12		10A	25A	1+12		Incoming 3 x SAK70/35EN+1N+1PE Outgoing 36 x SAK10EN+12N+12PE
BXD53-4/□	—	4	MCB 3P	32A	4		Incoming 3 x SAK70/35EN+1N+1PE Outgoing 12 x SAK10EN+4N+4PE	1 x M50 x 1.5 + 4 x M25 x 1.5
BXD53-6/□		6		40A		6	Incoming 3 x SAK70/35EN+1N+1PE Outgoing 18 x SAK10EN+6N+6PE	1 x M50 x 1.5 + 6 x M25 x 1.5
BXD53-8/□		8		50A	8		Incoming 3 x SAK70/35EN+1N+1PE Outgoing 24 x SAK10EN+8N+8PE	1 x M50 x 1.5 + 8 x M25 x 1.5
BXD53-10/□		10		63A			10	Incoming 3 x SAK70/35EN+1N+1PE Outgoing 30 x SAK10EN+10N+10PE
BXD53-12/□		12		On request	On request	12		Incoming 3 x SAK70/35EN+1N+1PE Outgoing 36 x SAK10EN+12N+12PE

#### Note

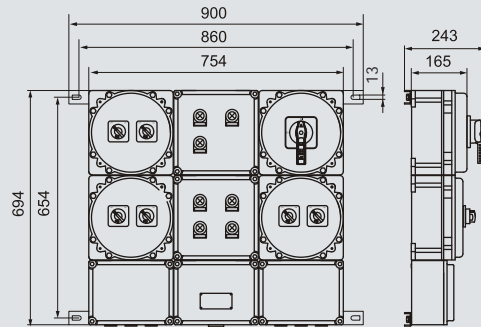
1. Please specify the number and size of cable entries and sides of the enclosure to be fitted.
2. Single line drawing (SLD) shall be provided by user. Photocell, timer, AC contactor, thermal relay or others on request.
3. Please specify mounting type when ordering.
4. Rainproof canopy on request.



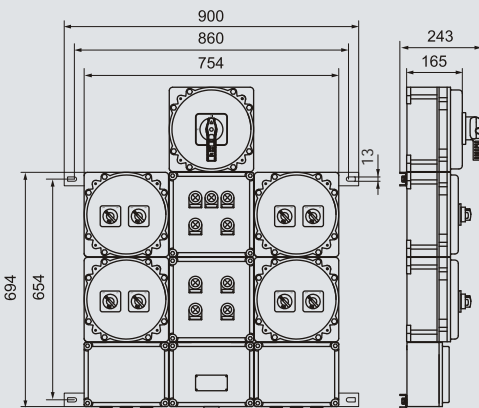
Dimension drawings (all dimensions in mm) - subject to alteration



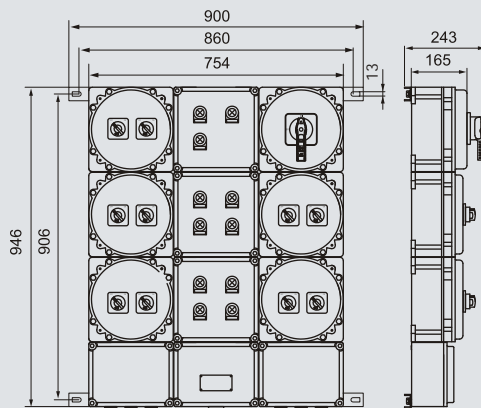
BXM(D)53-4/□/K/□



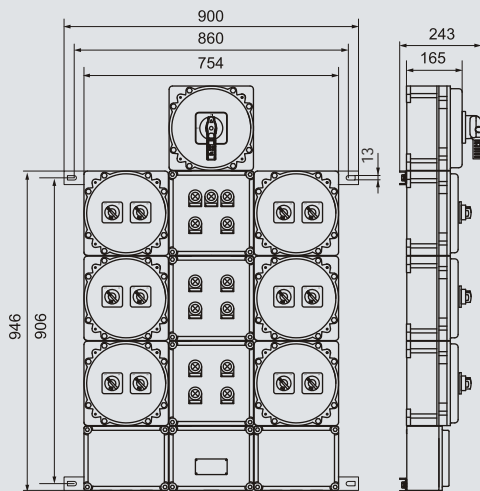
BXM(D)53-6/□/K/□



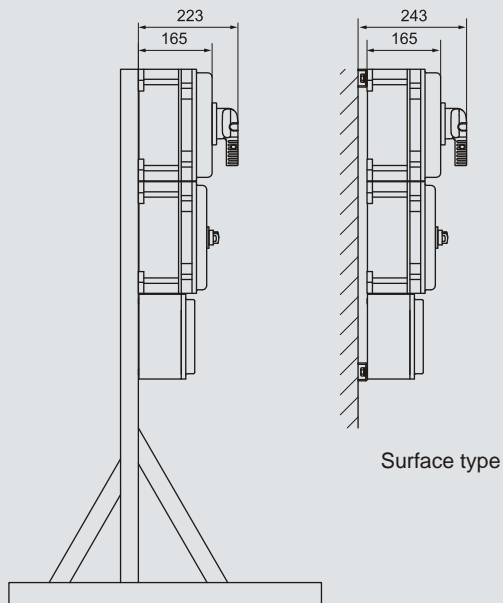
BXM(D)53-8/□/K/□



BXM(D)53-10/□/K/□



BXM(D)51-12/□/K/□



Surface type

Pedestal type

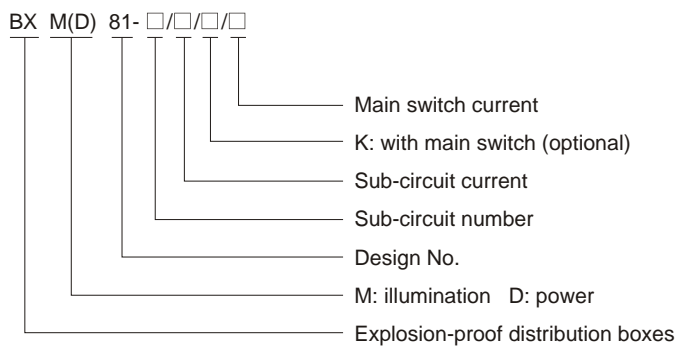




## Distribution Boxes BXM(D)81 Series Explosion-proof Illumination (Power) Distribution Boxes (Ex d IIB)

- ◆ Explosion protection to
  - CENELEC
  - IEC
- ◆ Can be used in
  - Zone 1 and Zone 2
  - Zone 21 and Zone 22
- ◆ Flameproof enclosure (Ex d IIB)
- ◆ Main switch and distribution switch are operated by external handle.
- ◆ Internal termination is finished.
- ◆ Weidmuller SAK EN series terminals.
- ◆ Entries plugged. Cable glands on request (see P7/20~25).
- ◆ Special requirements on request.

### Catalogue number logic



## Zones 1&2; 21&22

## Technical data

## Explosion-proof illumination distribution boxes

BXM81-□/□/□/□

## Explosion protection

Gas explosion protection

⊕ II 2 G Ex d IIB T6 Gb

Dust explosion protection

⊕ II 2 D Ex t III C T80°C Db IP66

## Certificates

LCIE 11 ATEX 3064X; IECEx CQM 11.0032; GOST.R (Russia)

## Conformity to standards

EN 60079-0:2009, EN 60079-1:2007, EN 60079-31:2009

IEC 60079-0:2007, IEC 60079-1:2007, IEC 60079-31:2008

## General power supply

Rated voltage: max. 415V AC 50/60Hz; Rated current: max. 100A

## Sub circuit current

1A, 2A, 4A, 6A, 10A, 16A, 20A, 25A, 32A

## Exposed fastener

Stainless steel

## Enclosure material

Copper-free aluminium; powder coated external surface

## Enclosure colour

Window grey (RAL7040)

## Built-in components

MCB (mini circuit breaker) or MCCB (moulded case circuit breaker)

Main switch

Note: electric leakage protection on request

MCB (mini circuit breaker)

Sub-circuit switch

Note: electric leakage protection on request

Terminal

Weidmuller SAK EN series

Indicator

Red, green, yellow

## Degree of protection

IP66

## Ambient temperature

-60°C ~ +55°C

## Cable entries

Standard M□ x 1.5 plug (see the Selection Table on P6/16)

## Cable gland (optional)

DQM-II (Ex d) or DQM-III (Ex d) is recommended. Please see P7/20~25.

## Entry direction

Bottom

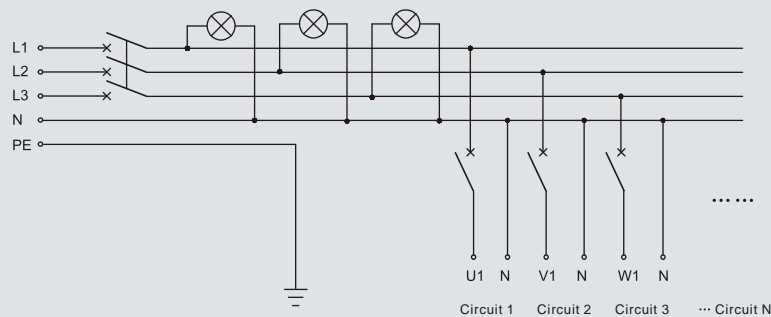
## Mounting

Surface type (standard)

Pedestal type (optional)



## Electrical schematic diagram



BXM81 series explosion-proof illumination distribution boxes

Selection table of BXM81 series explosion-proof illumination distribution boxes

Type	Description					Terminal	Cable entries
	Main switch	Sub-circuit number	Sub-circuit switch	Sub-circuit current	Indicator number		
BXM81-4/□/K/□	MCB or MCCB  Current: max. 100A	4	MCB 1P/2P	1A 2A 4A 6A 10A 16A 20A 25A 32A On request	3	Incoming 3 x SAK35EN+1N+1PE Outgoing 4 x SAK4EN+4N+4PE	1 x M40 x 1.5 + 4 x M25 x 1.5
BXM81-6/□/K/□		6			3	Incoming 3 x SAK35EN+1N+1PE Outgoing 6 x SAK4EN+6N+6PE	1 x M40 x 1.5 + 6 x M25 x 1.5
BXM81-8/□/K/□		8			3	Incoming 3 x SAK35EN+1N+1PE Outgoing 8 x SAK4EN+8N+8PE	1 x M40 x 1.5 + 8 x M25 x 1.5
BXM81-10/□/K/□		10			3	Incoming 3 x SAK35EN+1N+1PE Outgoing 10 x SAK4EN+10N+10PE	1 x M40 x 1.5 + 10 x M25 x 1.5
BXM81-12/□/K/□		12			3	Incoming 3 x SAK35EN+1N+1PE Outgoing 12 x SAK4EN+12N+12PE	1 x M40 x 1.5 + 12 x M25 x 1.5
BXM81-4/□	—	4	MCB 1P/2P	1A 2A 4A 6A 10A 16A 20A 25A 32A On request	3	Incoming 3 x SAK35EN+1N+1PE Outgoing 4 x SAK4EN+4N+4PE	1 x M40 x 1.5 + 4 x M25 x 1.5
BXM81-6/□		6			3	Incoming 3 x SAK35EN+1N+1PE Outgoing 6 x SAK4EN+6N+6PE	1 x M40 x 1.5 + 6 x M25 x 1.5
BXM81-8/□		8			3	Incoming 3 x SAK35EN+1N+1PE Outgoing 8 x SAK4EN+8N+8PE	1 x M40 x 1.5 + 8 x M25 x 1.5
BXM81-10/□		10			3	Incoming 3 x SAK35EN+1N+1PE Outgoing 10 x SAK4EN+10N+10PE	1 x M40x 1.5 + 10 x M25 x 1.5
BXM81-12/□		12			3	Incoming 3 x SAK35EN+1N+1PE Outgoing 12 x SAK4EN+12N+12PE	1 x M40 x 1.5 + 12 x M25 x 1.5

**Note**

1. Please specify the number and size of cable entries and sides of the enclosure to be fitted.
2. Single line drawing (SLD) shall be provided by user. Photocell, timer, AC contactor, thermal relay or others on request.
3. Please specify mounting type when ordering.
4. Rainproof canopy on request.



Technical data

Explosion-proof power distribution boxes BXD81-□/□/□/□

Explosion protection

Gas explosion protection

⊕ II 2 G Ex d IIB T6 Gb

Dust explosion protection

⊕ II 2 D Ex t III C T80°C Db IP66

Certificates

LCIE 11 ATEX 3064X; IECEx CQM 11.0032; GOST.R (Russia)

Conformity to standards

EN 60079-0:2009, EN 60079-1:2007, EN 60079-31:2009

IEC 60079-0:2007, IEC 60079-1:2007, IEC 60079-31:2008

General power supply

Rated voltage: max. 415V AC 50/60Hz; Rated current: max. 250A

Sub circuit current

1A, 2A, 4A, 6A, 10A, 16A, 20A, 25A, 32A, 40A, 50A, 63A

Exposed fastener

Stainless steel

Enclosure material

Copper-free aluminium; powder coated external surface

Enclosure colour

Window grey (RAL7040)

Built-in components

Main switch

MCB (mini circuit breaker) or MCCB (moulded case circuit breaker)

Note: electric leakage protection on request

Sub-circuit switch

MCB (mini circuit breaker)

Note: electric leakage protection on request

Terminal

Weidmuller SAK EN series

Indicator

Red, green, yellow

Degree of protection

IP66

Ambient temperature

-60°C ~ +55°C

Cable entries

Standard M□ x 1.5 plug (see the Selection Table on P6/18)

Cable gland (optional)

DQM-II (Ex d) or DQM-III (Ex d) is recommended. Please see P7/20~25.

Entry direction

Bottom

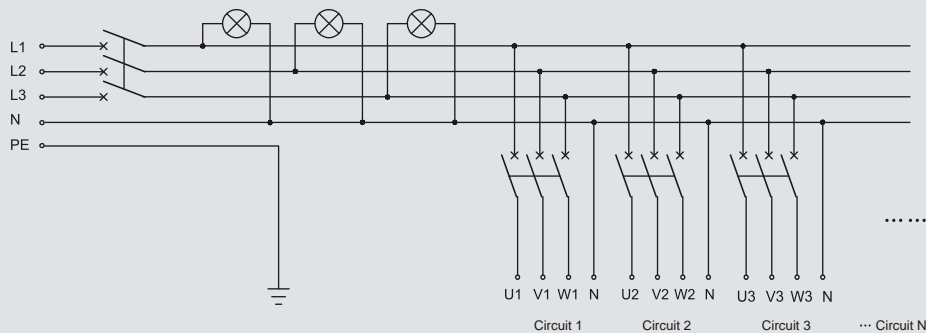
Mounting

Surface type (standard)

Pedestal type (optional)



Electrical schematic diagram



BXD81 Series Explosion-proof power distribution Boxes



Selection table of BXD81 series explosion-proof power distribution boxes

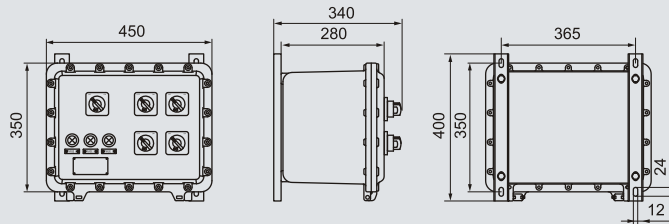
Type	Description					Terminal	Cable entries	
	Main switch	Sub-circuit number	Sub-circuit switch	Sub-circuit current	Indicator number			
BXD81-4/□/K/□	MCB or MCCB	4	MCB 3P	1A	3	Incoming 3 x SAK70/35EN+1N+1PE Outgoing 12 x SAK10EN+4N+4PE	1 x M50 x 1.5 + 4 x M25 x 1.5	
BXD81-6/□/K/□		6		2A		3	Incoming 3 x SAK70/35EN+1N+1PE Outgoing 18 x SAK10EN+6N+6PE	1 x M50 x 1.5 + 6 x M25 x 1.5
BXD81-8/□/K/□		8		4A	3		Incoming 3 x SAK70/35EN+1N+1PE Outgoing 24 x SAK10EN+8N+8PE	1 x M50 x 1.5 + 8 x M25 x 1.5
BXD81-10/□/K/□		Current: max. 250A		10		6A	3	Incoming 3 x SAK70/35EN+1N+1PE Outgoing 30 x SAK10EN+10N+10PE
BXD81-12/□/K/□				12	10A	3		Incoming 3 x SAK70/35EN+1N+1PE Outgoing 36 x SAK10EN+12N+12PE
BXD81-4/□	—	4	MCB 3P	16A	3		Incoming 3 x SAK70/35EN+1N+1PE Outgoing 12 x SAK10EN+4N+4PE	1 x M50 x 1.5 + 4 x M25 x 1.5
BXD81-6/□				6		20A	3	Incoming 3 x SAK70/35EN+1N+1PE Outgoing 18 x SAK10EN+6N+6PE
BXD81-8/□					8	25A		3
BXD81-10/□				10		32A	3	
BXD81-12/□					12	40A		3
				50A				
				63A				
				On request				

#### Note

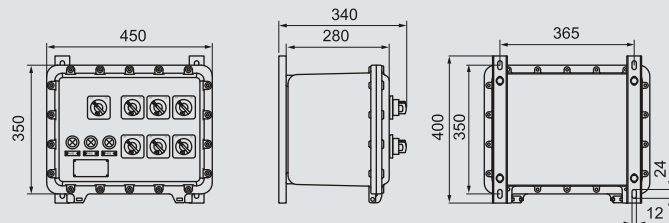
1. Please specify the number and size of cable entries and sides of the enclosure to be fitted.
2. Single line drawing (SLD) shall be provided by user. Photocell, timer, AC contactor, thermal relay or others on request.
3. Please specify mounting type when ordering.
4. Rainproof canopy on request.



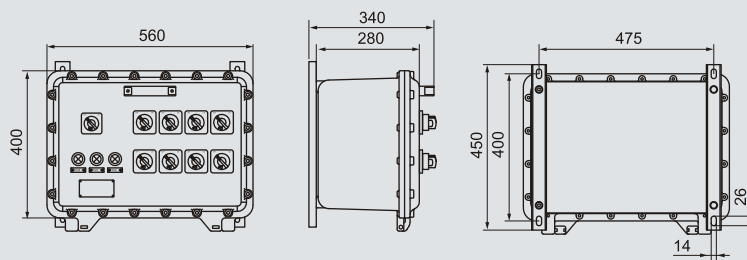
Dimension drawings (all dimensions in mm) - subject to alteration



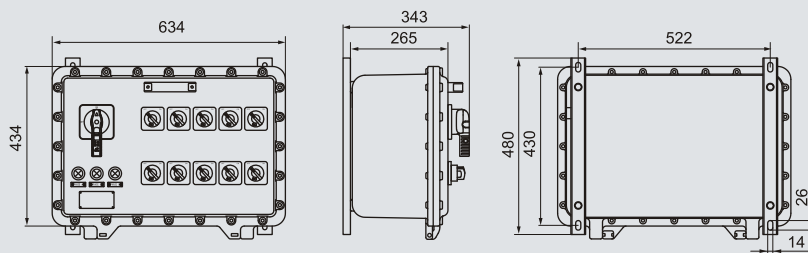
BXM81-4/□/□/□



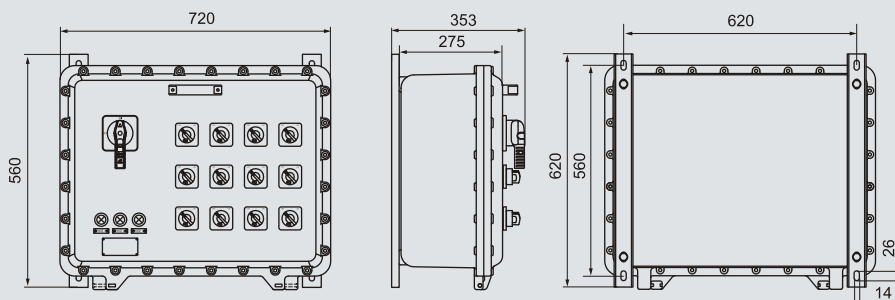
BXM81-6/□/□/□



BXM81-8/□/□/□



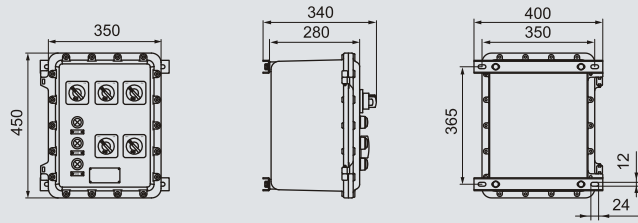
BXM81-10/□/□/□



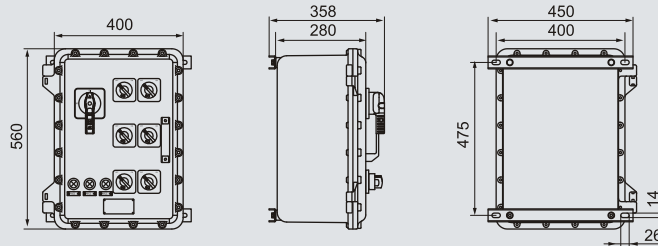
BXM81-12/□/□/□



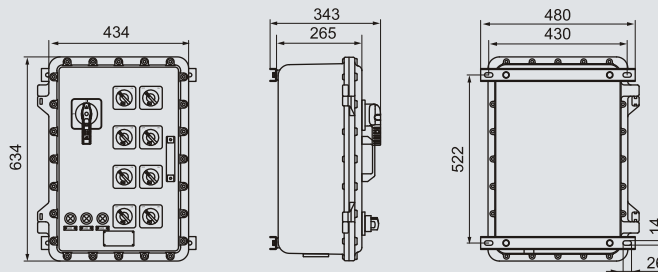
Dimension drawings (all dimensions in mm) - subject to alteration



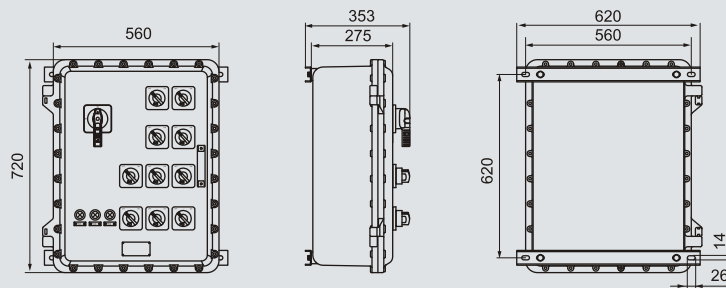
BXD81-4/□/K/□



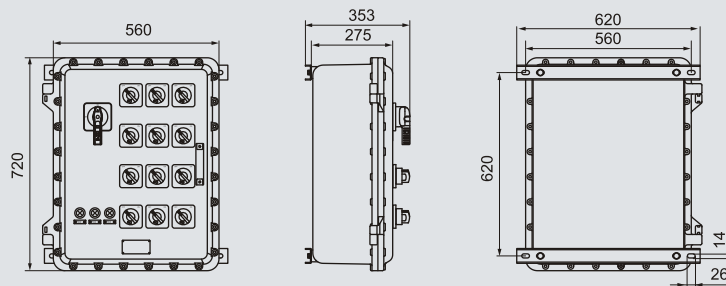
BXD81-6/□/K/□



BXD81-8/□/K/□



BXD81-10/□/K/□



BXD81-12/□/K/□



Dimension drawings (all dimensions in mm) - subject to alteration

